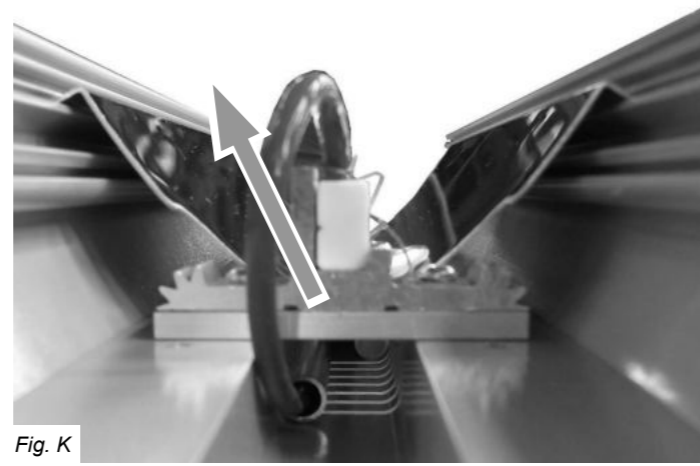
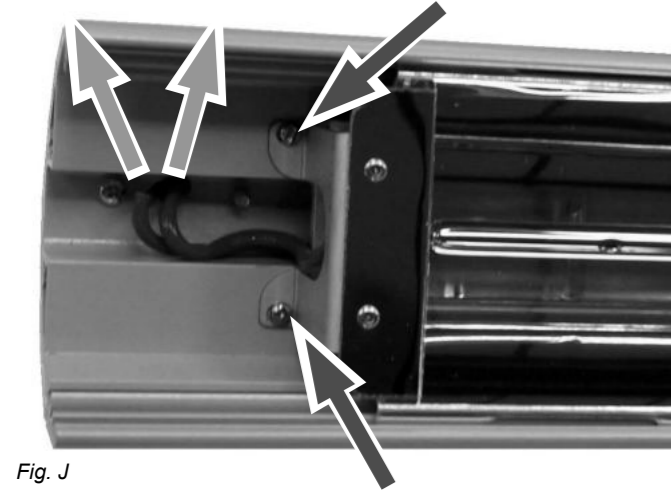


7. Remove the two screws as highlighted on in Fig. J to take out the side reflector bracket to access the lamp holding clip. Repeat at opposite end of lamp.



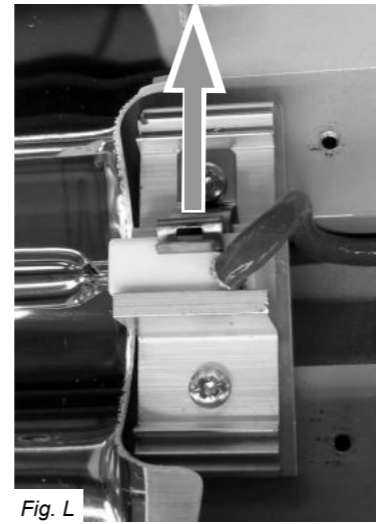
8. Where the lamp wires are fed through the gasket into the terminal box (Fig. J), gently pull the lamp wires through the body of the heater so the wires exit the terminal box.

9. At the opposite end of the lamp, the wire will be clearly visible in the lamp wire tube so gently pull the wire (Fig. K) out of the tube until it is free.

10. One at a time pull the spring clips back in the direction shown in Fig. L and lift up the ceramic caps of the lamp to remove it from the heater.

11. The lamp should now be removed from the heater.

12. Refit the new lamp(s) in reverse order ensuring the ceramic caps are correctly seated in the lamp holders, no wires are trapped and all screws are fully tightened. Refer to page 6 - 'YOUR REPLACEMENT LAMPS(S)' before following this step.



TANSUN QUARTZHEAT

Reference Manual

Bahama Double

UK & EUROPEAN MODEL HEATERS:

RIO 315D UK-B

RIO 315D EU-B



FOLLOWING INFORMATION IS ONLY FOR EU-MEMBER STATES:

The use of this symbol indicates that this product may not be treated as household waste. By ensuring this product is disposed of correctly, you will help prevent potential negative consequences for the environment and human health, which could otherwise be caused by inappropriate waste handling of this product. For more detailed information about recycling of this product, please contact your local council, your household waste disposal service or the shop where you purchased the product.



▲ IMPORTANT - SAVE THESE INSTRUCTIONS FOR FUTURE REFERENCE



TANSUN LIMITED

Spectrum House, Unit 1, Ridgacre Road, West Bromwich,
West Midlands, B71 1BW, England.

Tel: +44 (0)121 580 6200 - Fax: +44 (0)121 580 6222

Email: quartzinfo@tansun.com - Website: www.tansun.com

CAUTION

When using Tansun electrical heaters, basic precautions should always be followed to reduce the risk of fire, electric shock, and injury to persons, including the following:

Read all instructions before using this heater.

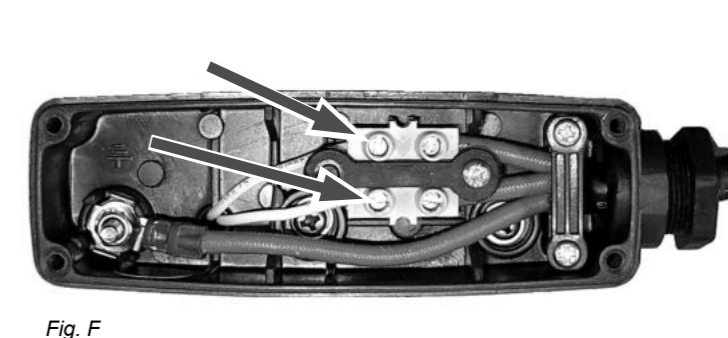
- Before using this appliance:
 - Check that the voltage indicated on the type plate corresponds to the mains supply voltage.
 - Ensure that the heater has been securely fastened in its final mounting position.
- Do not locate the heater immediately below a socket outlet.
- This appliance can be used by children aged from 8 years and above and persons with reduced physical, sensory or mental capabilities or lack of experience and knowledge if they have been given supervision or instruction concerning use of the appliance in a safe way and understand the hazards involved. Children shall not play with the appliance. Cleaning and user maintenance shall not be made by children without supervision.
- Children of less than 3 years should be kept away unless continually supervised.
- Children aged from 3 years and less than 8 years shall only switch on/off the appliance provided that it has been placed or installed in its intended normal operating position and they have been given supervision or instruction concerning use of the appliance in a safe way and understand the hazards involved. Children aged from 3 years and less than 8 years shall not plug in, regulate and clean the appliance or perform user maintenance.
- **CAUTION - Some parts of the product can become very hot and cause burns. Particular attention has been given where children and vulnerable people are present.**
- Remove the plug from the mains socket (or disconnect pole switch) during installation, cleaning and/or replacing the element and always ensure that the element is cool.

REPLACING THE LAMP

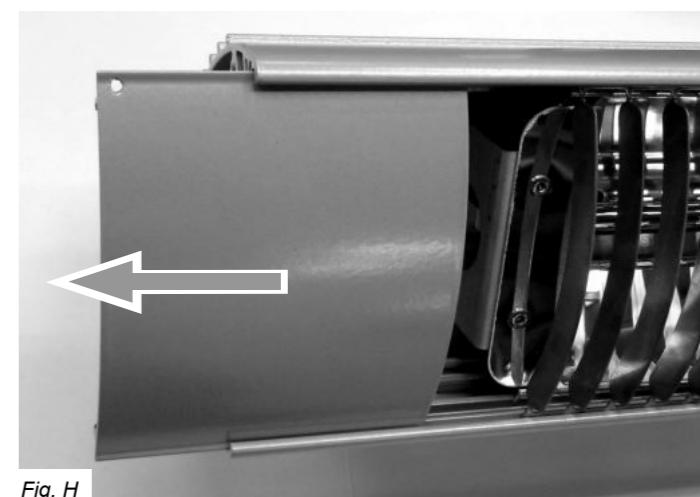
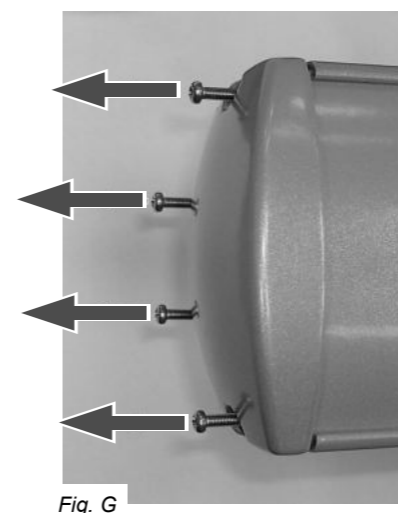
CAUTION

If you are in any doubt about following the procedure below, please contact us for technical assistance. The mains power should be disconnected before any attempts are made to replace a lamp. The following should be carried out with compliance to the latest electrical regulations. Please read the notes with regards to handling and buying a replacement lamp before proceeding.

1. Ensure the heater and lamps are cool and the power supply is disconnected by removing the plugs from the socket outlets or disconnect the pole switches - both plugs must be removed from the socket or both pole switches must be disconnected even if only one lamp is to be replaced.
2. Providing there is reasonable access and you are standing on a safe and stable platform, the lamp can be replaced with the heater still mounted. Otherwise, remove the heater from its mounting and work on a safe, flat surface.
3. Remove the screws from the terminal box (Fig. E) and lift off the cover.



4. Disconnect the lamp wires from the connector blocks by unscrewing the screws highlighted above in Fig. F.
5. Unscrew the four screws (see Fig. G) from the end cap to the side of the lamp to be replaced and remove the end cap.
6. Slide out the side cover (Fig. H), and guard from the open end. The middle cover can be left in the body and pushed to one side to access the lamp.



MAINTENANCE

NOTE: For replacement lamps or spare parts please contact Tansun Limited quoting model type and rating from rating label. It is very important that your replacement lamp(s) are exactly the same as the ones it was supplied with. Failure to fit the exact same type can cause the heater to prematurely fail.

CAUTION: Unplug/Switch off unit from the mains supply before replacing lamp or any maintenance procedure including cleaning.

CAUTION: Should dust or dirt appear on the reflector, it is recommended that the guard and lamp are removed and the reflector is wiped with a lint-free cloth before reassembling (see lamp replacement instructions).

YOUR REPLACEMENT LAMP(S)

CAUTION: Please ensure that the length of wires on the replacement lamp(s) are the same as shown in the diagram below (Fig. D). The sleeves should be shorter than the overall length of the wires to allow them to pass through the terminal box sealing gasket. The stripped ends should have plain tube crimps fitted to ensure good connections are made.

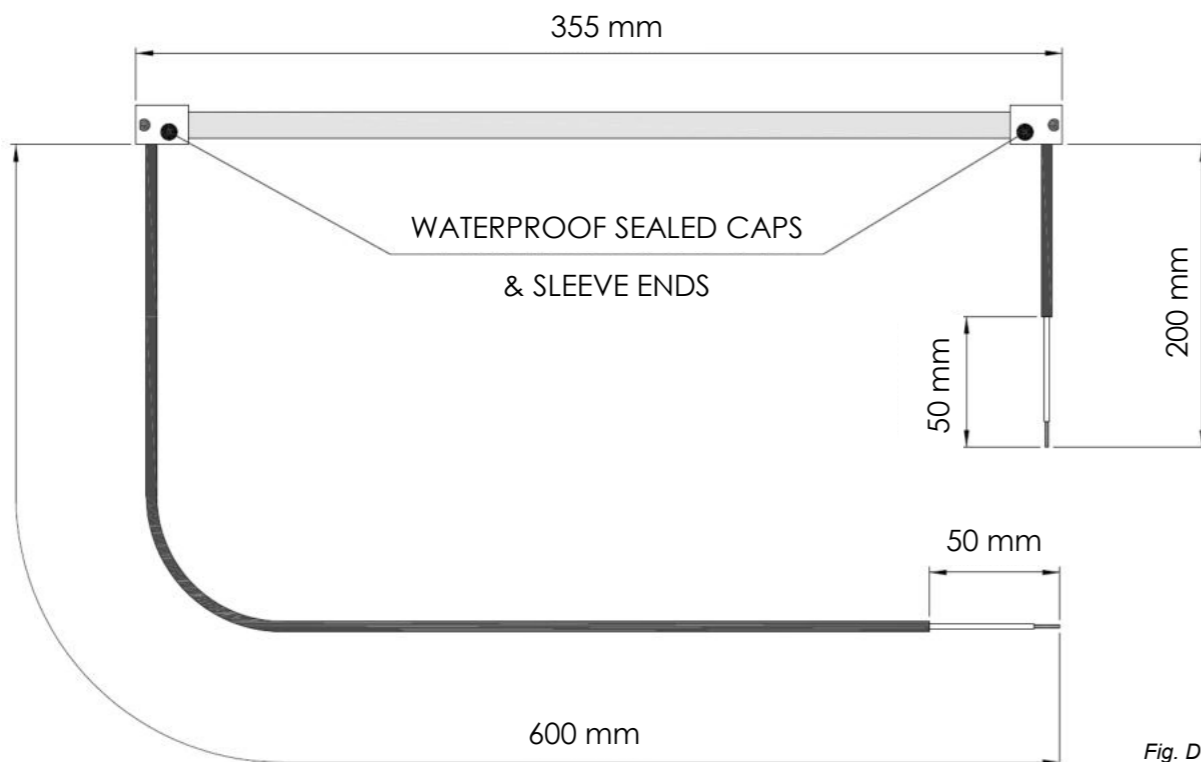



Fig. D

HANDLING REPLACEMENT LAMPS

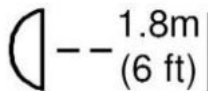
Your new lamp should not be handled with bare hands. Remove finger marks with a soft cloth and methylated spirits or rubbing alcohol. Finger marks will burn into the lamps quartz glass causing premature failure.



- Do not use an extension cord with this product because the extension cord may overheat and cause a risk of fire.
- Keep the mains supply cords away from the body of the heater which will get hot during use.
- Arrange the mains supply cords so they cannot be tripped over or damaged.
- Do not cover or obstruct the heater while it is in use.
- Do not insert any object through any slot or opening in the heater.
- Do not use if a guard is not present.
- Do not install less than the minimum mounting distance from the floor.
- **WARNING:** This heater is not equipped with a device to control the room temperature. Do not use this heater in small rooms when they are occupied by persons not capable of leaving the room on their own, unless constant supervision is provided.
- Do not touch the heater when it is turned on, as the body gets hot.
- Do not use the heater in a bathroom, laundry areas and similar locations. Never locate the heater where it may fall into a bathtub or other water container.
- Do not use in explosive atmospheres.
- A heater has hot parts inside. Do not use it in areas where petrol, paint, or flammable liquids are used or stored.
- **WARNING:** This appliance must be connected to a supply that is earthed! 

IMPORTANT - SAVE THESE INSTRUCTIONS FOR FUTURE REFERENCE

RISK OF FIRE

 1.8m
(6 ft)

Keep combustible materials such as furniture, papers, clothes and curtains at least 1.8m (6 feet) from the front of the heater and away from the sides and rear. If the heater is to be used outside, we recommend that a waterproof or indoor socket outlet is used.

INTRODUCTION

The Bahama Double heater produces radiant heat like the sun, warming people and objects rather than the air in between. It is mounted on an adjustable bracket that allows the heat to be directed where it is required. Its attractive, lightweight design means that it is effective yet unobtrusive. The Bahama Double is designed for indoor and outdoor use so is therefore weatherproof.

Please read the following instructions carefully before use. The safety of this heater is guaranteed only by its correct usage in accordance with these instructions, therefore it is recommended that they are retained for future reference.

SPECIFICATION

Table 1. UK and European Heaters

Model Type	RIO 315D UK/EU-B
Voltage	230 V
No. of Lamps x Power	2 x 1500 W
Total Power	3000 W
Current per Lamp	6.5 A
Total Current of Unit	13.0 A
Min. mounting height from floor	250 cm
Min. distance from ceiling ⚠	46 cm
Min. distance from side wall	100 cm
Dimensions - W x H x D	127 cm x 11 cm x 9 cm
Weight	6.0 kg
Ingress Protection	IP55

Use an MCB Type C.

INSTALLATION

The Bahama Double heater is fitted with a 2 x supply cords and moulded plugs, therefore it is unnecessary to open the terminal box in order to carry out normal installation of this product and should not be interfered with.

⚠ WARNING: Wiring procedures and connections should be in accordance with the latest electrical regulations. We recommend using a RCD where applicable.

⚠ WARNING: If the supply cord(s) becomes damaged, it must be immediately replaced by a qualified person in order to avoid a hazard.

⚠ CAUTION: Disconnect electric power supply before working on circuit wiring to prevent electric shock.

⚠ CAUTION: Please observe the minimum safe distance between the heater body and any inflammable surfaces.

⚠ CAUTION: When the electrical connection is outside, it is recommended that a waterproof socket is used for the connection. Otherwise, the plug should be connected to a socket indoors.

! NOTE: CONSULT A QUALIFIED ELECTRICIAN, IF IN DOUBT.

MOUNTING

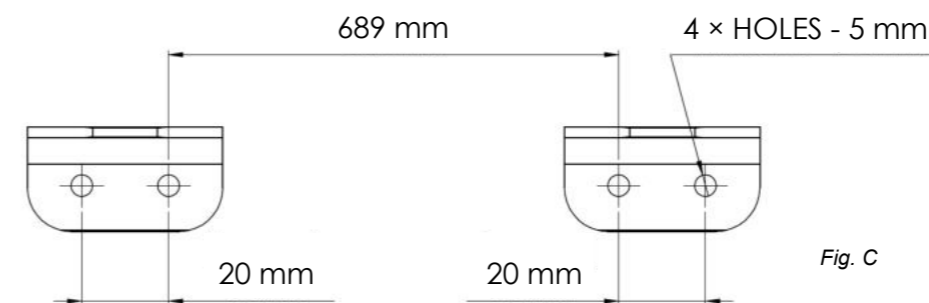
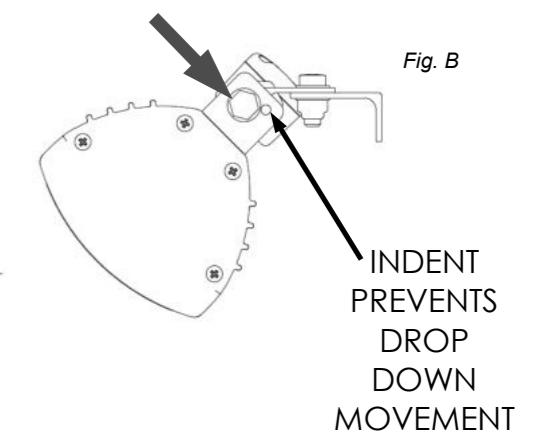
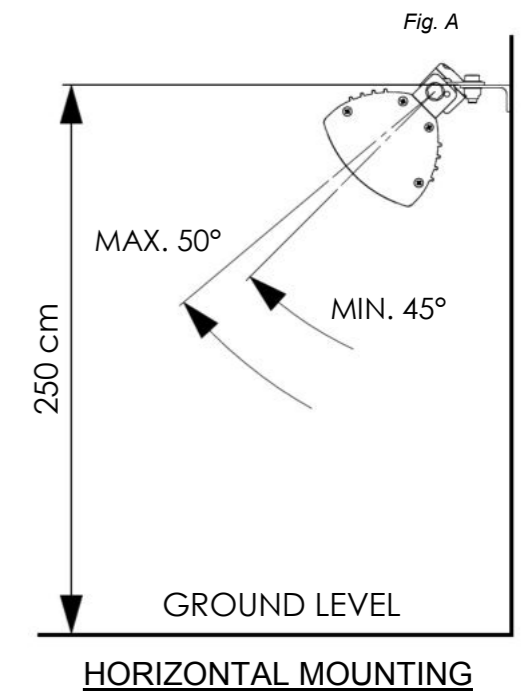


The Bahama Double heater should be mounted in a horizontal (Fig. A) manner only.

1. Securely fasten the heater brackets to the mounting surface using the fixing holes in the brackets. See Fig. C for mounting hole centres of the brackets. Please refer to Table 1 for recommended positioning of the heater.

2. The heater bracket can be used to adjust the direction of the heater up and down (see Fig. B). This is done by loosening the bolts fixing the heater to the bracket, and then retightening once the correct position is achieved. Fix in the required angular position.

3. Secure the supply cords so they are directed away from the heater and is not resting on the body or obstructing the air-vents.



⚠ CAUTION: When mounting the heater, do not position the heater at an angle more than 50° or less than 45° as shown in Fig. A.

⚠ CAUTION: The heater should be mounted with the minimum clearances adhered to. Please refer to Table 1 for the recommended positioning of the heater. Do not install the heater in a corner!

⚠ CAUTION: Always allow the heater to cool before attempting to reposition/move. Never attempt to move the heater while it is switched on!

⚠ CAUTION: Observe the minimum safe distance between the heater body and inflammable surfaces and objects when mounting (see table 1).