

Electric infrared heater - Hathor 793LGW | MO-EL






Electric infrared heater, for heating large spaces, long lamp working hours (5000 h), instant heating, without cable, includes wall mounting bracket, white color, 6000 W power, IP55 insulation class, gold colored low glare halogen lamps, 2 year WARRANTY

Manufacturer:

MO-EL

Models specifications

Hathor - for heating large spaces, long lamp working hours (5000 h), instant heating, without cable, includes wall mounting bracket, white color

	Hathor 791LGW	2000 W power, IP55 insulation class, gold colored low glare halogen lamps, 2 year WARRANTY
	Hathor 792LGW	4000 W power, IP55 insulation class, gold colored low glare halogen lamps, 2 year WARRANTY
	Hathor 793LGW	6000 W power, IP55 insulation class, gold colored low glare halogen lamps, 2 year WARRANTY

Technical data

Model		791	791LG	792	792LG	793	793LG
Heating capacity	W	2000		4000		6000	
Power supply		220-240V 1 phase 50-60Hz		220-240V 1 phase 50-60Hz		380-415V 3 phase 50-60Hz	
Cable		-					
Switch		-					
Mounting bracket		included					
IR lamps		Tungsten halogen lamps filled with inert gas					
Lamp color		gold	low glare gold	gold	low glare gold	gold	low glare gold
Lamp life	h	5000					
Protection level		-	IP65	-	IP65	-	IP65
Insulating class		I					
Emission spectrum		IR-A					
Dimensions	width	mm	486		496		496
	height	mm	235		375		515
	depth	mm	313				
Weight	kg	1,7		2,4		3,0	

Description

It's industrial electric infrared heater. It features compact design and easy installation.

Heater fitting is suitable for wall mounted or ceiling application. It can replace gas heaters and it optimizes the heating performance.

It is not influenced at all by air flows, so that it can be installed also in open windows areas.

It allows a longer distance performance, so that it can be installed wall mounted or by ceiling also in wider spaces.

Industrial infrared heater HATHOR is available in three models: 2000W, 4000W and 6000W heating capacity. Modules adjustable (for wider or more focused heating rays).

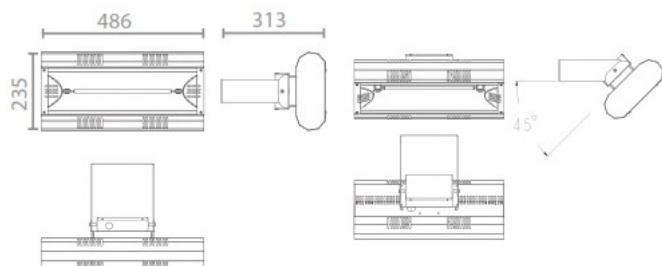
The heater is a very powerful and heats at large distance, so it is most suitable for industrial premises, car paint shops, workshops, factories and other large space or high-ceiling rooms.

„HATHOR ONE“ INFRARED HEATER, MODEL 791

This is an infrared heater of one quartz lamp with a tungsten filler. It's power is 2000 W. It is designed for small industrial premises, garages, etc., affixed to the wall or ceiling. Operating angle can be adjusted up to 45 degrees. The heater can be suspended in rooms with high ceilings.

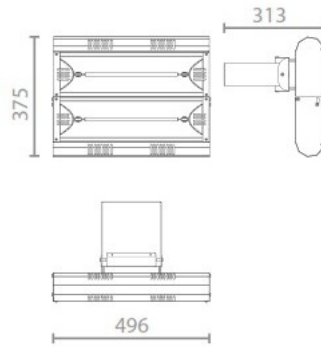


First of all, attach the bearing fixture of the heater – a special bracket – to the wall or ceiling. It is fastened with screws. For this, drill the holes in the ceiling or wall. Bracket is adjustable – the heater operating angle can be easily changed. Length of the heater 486 mm, width 235 mm. The heater is mounted from the wall or ceiling at a distance of 313 mm.



„HATHOR TWO“ INFRARED HEATER, MODEL 792

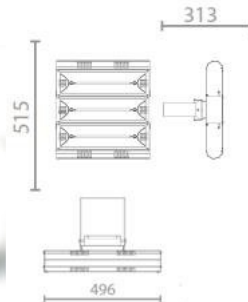
The infrared heater with two tungsten-filled lamps. Power – 4000 W (same as the two HATHOR one infrared heaters). It is designed for larger industrial premises, large garages, etc., affixed to the wall or ceiling. Operating angle can be adjusted up to 45 degrees. The heater can be suspended in rooms with high ceilings.



First of all, attach the bearing fixture of the heater – a special bracket – to the wall or ceiling. It is fastened with screws. For this, drill the holes in the ceiling or wall. Bracket is adjustable – the heater operating angle can be easily changed. Length of the heater 496 mm, width 375 mm. The heater is mounted from the wall or ceiling at a distance of 313 mm.

„HATHOR THREE“ INFRARED HEATER, MODEL 793

This is the three lamp tungsten-filled, infrared heater. Power – 6000 W (such as the three Hathor one infrared heaters). It is designed for very large manufacturing facilities, large garages, workshops, factories, etc., affixed to the wall or ceiling. Operating angle can be adjusted up to 45 degrees. The heater can be suspended in the rooms with very high ceilings.



First of all, attach the bearing fixture of the heater – a special bracket – to the wall or ceiling. It is fastened with screws. For this, drill the holes in the ceiling or wall. Bracket is adjustable – the heater operating angle can be easily changed. Length of the heater 496 mm, width 515 mm. The heater is mounted from the wall or ceiling at a distance of 313 mm.

HATHOR INFRARED HEATERS CAN BE ORDERED WITH LOW GLARE LAMPS

WHAT IS A LOW GLARE LAMP?

Low glare lamp does not have standard lamp brightness, it provides a comfortable warmth. It does not emit irritating bright light, no dazzling, no glaring, does not irritate the eyes. Infrared heaters with low glare lamps extremely suitable for use in bars, cafes, restaurants, where you need to create a cozy and comfortable atmosphere. It's great for offices and other places where staff spends on the computer most of the day and their eyes are sensitive to bright light.

„HATHOR LOW GLARE“ INFRARED HEATERS

A new version of the powerful Hathor infrared heater.

The LOW GLARE BULB makes sure you can install the heater everywhere without causing any interference with the lighting style especially in case of soft lighting (e.g public places like bars and restaurants).

The IP55 waterproof resistance makes sure you can install the new HATHOR LOW GLARE also in any outdoor application like smoking areas, terraces, patios, etc...

As standard Hathor infrared heater, Hathor low glare exists in three models:

- 1-lamp system „Hathor low glare 791LG“
- 2-lamp system „Hathor low glare 792LG“
- 3-lamp system „Hathor low glare 793LG“

